

Treadwell

Nothing beats a bike ride.

Treadwell is a new fitness platform from Cannondale that supports riders in their daily active pursuits. It's a light, simple, responsive bike for rolling around, meeting up with friends, and getting from here to there with that feeling of freedom that only two wheels can give.



Key Benefits

- **More Fun days.** It's comfy. It's playful. It's easy to get on and off. This is a capable, well-made ride that nods to funky bikes of the past, with handlebars and tires inspired by dirt-track racers.
- **Easy-Ride Geometry.** Easy to get on and off, with an easy reach to the bars, and a seat position that makes it easy to put a foot down when stopped. Not too upright and cruiser-y, or too forward and sporty. It's just right.
- **Nice and Light.** Practical doesn't have to mean vanilla. Not with this bike. Light and responsive, it bounds through the city and blasts through the boroughs with style.

Category

Fitness

Wheel / Tire Size

650b x 47c

cannondale

CANNONDALE.COM/TREADWELL

Treadwell Technology



Connected. An integrated wheel sensor helps track your activity (like speed, distance and calories burned), registers your bike, reminds you of needed service and more, all through the free Cannondale app.



Intellimount Stem. A convenient SP connect mount on the stem securely holds your smartphone, turning it into a dashboard display for speed, mileage and more with the Cannondale App.



Light and Lively. The beautifully-crafted aluminum frame and thoughtfully selected components come together to create a light, playful, seriously fun machine that is easy to ride, easy to lift, easy to carry.

cannondale

CANNONDALE.COM/TREADWELL

Treadwell Technology

TREADWELL



Comfy Makes Happy. A quilted saddle and ribbed grips keep things comfortable. Even the pedals use deck tape instead of teeth for easy-going grip in anything from flip flops to cowboy boots.



Two Frame Options . The Treadwell comes in two frame styles – a low standover, easy-to-throw-a-leg-over Standard model, and an even easier-to-throw-a-leg-through, Unisex step-thru design.



Cruise Control Handlebar. BMX-inspired handlebar puts you in the right position for control while cruising.



Everyday Protection. Our Urban Armor bumpers help protect the frame from dents and dings during the daily leaning and locking.



EQ Means Equipped. With a convenient front rack and full-coverage fenders, Treadwell EQ is ready to bring a little fun to the daily to and from.

cannondale

CANNONDALE.COM/TREADWELL

Treadwell EQ

TREADWELL



C37150M

Frame	All-New, SmartForm C3 Alloy, Ride-Easy low-standover geometry, Straightshot hidden cable routing, Urban Armor frame bumpers, flat mount disc, rack/fender mounts
Fork	All-New, SmartForm C3 Alloy blades, 1-1/8" steerer, OutFront offset, flat mount disc, mid-blade mounts
Rims	Cannondale, double wall, 32h
Hubs	(F) Sealed Alloy Disc, 12x100 / (R) Sealed Alloy Disc, QR
Spokes	Stainless Steel, 14g
Tires	Maxxis DTR-1, 650b x 47c
Pedals	Cannondale Comfort
Crank	Prowheel, 38T
Bottom Bracket	Cartridge Sealed
Chain	KMC X9, 9-speed
Rear Cogs	Sunrace, 11-36, 9-speed
Rear Derailleur	Shimano Altus

Shifters	Shimano Altus, 9-speed
Handlebar	Cannondale Cruise Control riser, 6061 alloy, 31.8mm clamp, 15 degree backsweep, 740mm width
Grips	Cannondale Comfort
Stem	Cannondale 3 with Intellimount, alloy, 31.8mm clamp
Headset	Tange Semi-Integrated
Brakes	Tekro HD-R280 hydraulic disc, 160/140mm rotors
Brake Levers	Tekro hydraulic disc
Saddle	Cannondale Treadwell, 170mm, steel rails
Seatpost	Alloy, 31.6 x 350mm
Connectivity	Wheel Sensor
Sizes	S, M, L
Color 1	Agave (AGV)
Extras	Alloy fenders, front rack

cannondale

CANNONDALE.COM \ TREADWELL

Treadwell

EQ Remixte



C37150U

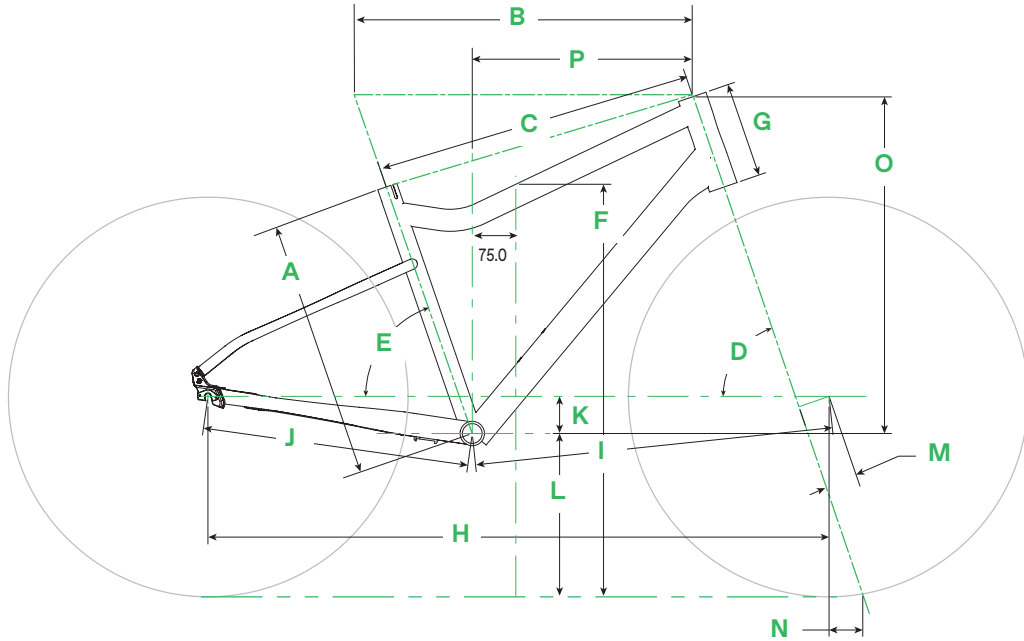
Frame	All-New, Step-thru, SmartForm C3 Alloy, step-thru Ride-Easy geometry, Straightshot hidden cable routing, Urban Armor frame bumpers, flat mount disc, rack/fender mounts
Fork	All-New, SmartForm C3 Alloy blades, 1-1/8" steerer, OutFront offset, flat mount disc, mid-blade mounts
Rims	Cannondale, double wall, 32h
Hubs	(F) Sealed Alloy Disc, 12x100 / (R) Sealed Alloy Disc, Urban 5mm hex skewers
Spokes	Stainless Steel, 14g
Tires	Maxxis DTR-1, 650b x 47c
Pedals	Cannondale Comfort
Crank	Prowheel, 38T
Bottom Bracket	Cartridge Sealed
Chain	KMC X9, 9-speed
Rear Cogs	Sunrace, 11-36, 9-speed

Rear Derailleur	Shimano Altus
Shifters	Shimano Altus, 9-speed
Handlebar	Cannondale Cruise Control riser, 6061 alloy, 31.8mm clamp, 15 degree backsweep, 740mm width
Grips	Cannondale Comfort
Stem	Cannondale 3 with Intellimount, alloy, 31.8mm clamp
Headset	Tange Semi-Integrated
Brakes	Tekro HD-R280 hydraulic disc, 160/140mm rotors
Brake Levers	Tekro hydraulic disc
Saddle	Cannondale Treadwell, 170mm, steel rails
Seatpost	Alloy, 31.6 x 350mm
Connectivity	Wheel Sensor
Sizes	S, L
Color 1	Agave (AGV)
Extras	Alloy fenders, front rack

cannondale

CANNONDALE.COM/TREADWELL

Treadwell Geometry



Size	S	M	L	S Remixte	L Remixte
A Seat Tube Length (cm)	38.7	45	51.3	38.7	45
B Top Tube Horizontal (cm)	55.7	57.9	60	55.7	57.9
C Top Tube Actual (cm)	NA	*	*	*	*
D Head Tube Angle	70.5°	71.0°	*	70.5°	71.0°
E Seat Tube Angle Effective	71.0°	*	*	*	*
F Standover (cm)	72.4	*	*	54.5	54.9
G Head Tube Length (cm)	13.5	16.5	19.6	13.1	16.1
H Wheelbase (cm)	105.4	107.1	109.2	105.4	107.1
I Front Center (cm)	60.1	61.8	63.9	60.1	61.8
J Chain Stay Length (cm)	46	*	*	*	*
K Bottom Bracket Drop (cm)	6.4	*	*	*	*
L Bottom Bracket Height (cm)	28	*	*	*	*
M Fork Rake (cm)	5.5	*	*	*	*
N Trail (cm)	6.3	6	*	6.3	6
O Stack (cm)	55	58	61	55	58
P Reach (cm)	36.8	37.9	39	36.8	37.9